

# mody

## ELECTRIC SUBMERSIBLE SEWAGE PUMP

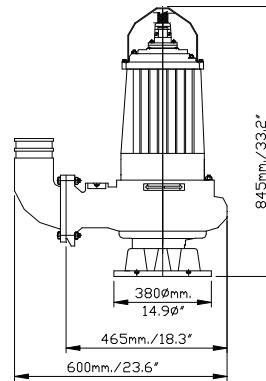
### MS 250 SERIES

SUBMERSIBLE SEWAGE PUMPS  
FOR  
STATIONARY WET PIT  
INSTALLATION  
(P TYPE)  
AND  
MOBILE WET PIT INSTALLATION  
(S TYPE)

#### Model MS 252

4" (100mm) Flange or Hose  
5 HP (3.7kW)  
(Med. Volume - Med. Head)

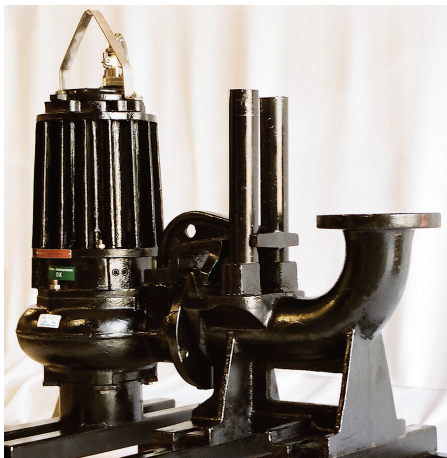
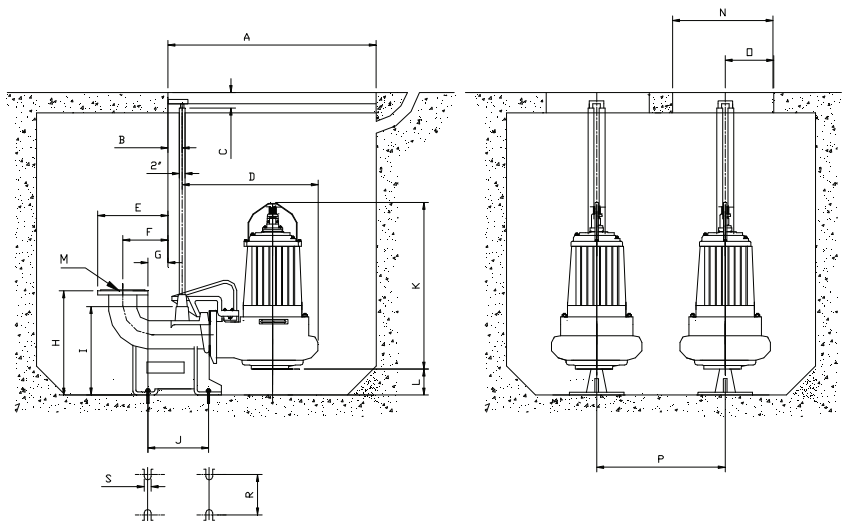
PORTABLE INSTALLATION



MS-252

STATIONARY (SEMI PERMANENT) WET PIT INSTALLATION

	A	B	C	D	E	F	G	H	I	J	K	L	MØ	N	Ø	P	R	S
MS252	780	85	70	685	274	165	69	400	258	250	740	110	100	570	262	670	200	23

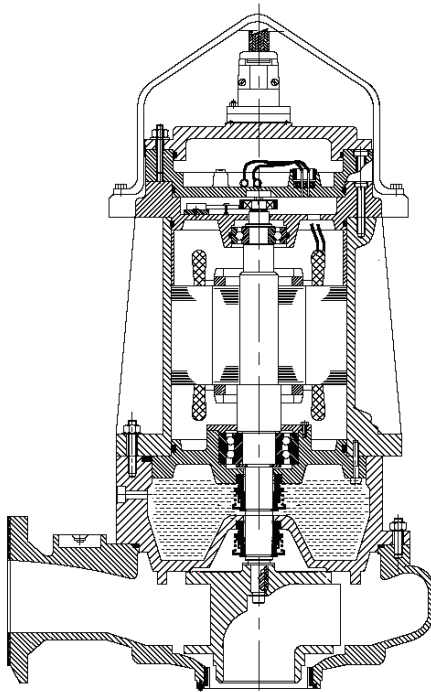


**Mody Pumps® Inc.**  
2166 Zeus Court, Bakersfield, CA 93308. USA  
Tel.: (661) 392-7600 • Fax: (661) 392-7601  
<http://www.modypump.com>  
E-mail: [sales@modypump.com](mailto:sales@modypump.com)



# ELECTRIC SUBMERSIBLE SEWAGE PUMP

## MS-250 SERIES 5HP (3.7kW)



## MS-250 SERIES

### MATERIALS OF CONSTRUCTION AND ENGINEERING DATA

<b>MODEL</b>	<b>MS 252</b>
HP/kW	5/3.7
RPM 60Hz/50Hz	1750/1450
Max. Amps (FLA @ 460v/400v)	7/8
Solids Handling	3"/75 (80)mm
Weight - P Type (approx.) Lbs./Kg	451/205
Weight - S Type (approx.) Lbs./Kg	319/145
Impeller Type	Channel
Max. Temperature of Pumped Fluid:	104°F/40°C
Max. Starts/Stop Per Hour:	15
Max. Submergence:	33'/10m

#### MOTOR

4-pole induction **continuous rated** motor with squirrel cage rotor. Bi-metallic switches (thermals) embedded in stator winding to protect against overheating. Stator insulation class 'H' (180°C)

#### POWER SUPPLY

3 phase, 50/60 Hz, AC Supply. Available in any voltage frequency combination. (208/220/230/380/415/460/575/1000V)

#### BALL BEARINGS

The rotor shaft is carried in two ball bearings. Double row contact lower bearing is capable of carrying high thrust and radial loads. Upper bearing is a deep groove single row oversized bearing. The bearings are enclosed with high temperature grease-containing special Anti-corrosion additive.

#### POWER CABLE

Waterproof/oil proof, rubber-insulated, neoprene-sheathed copper conductor flexible cable, 50ft. (15m) length standard. Type SOOW in North America, EPR in the Middle East and HO7RN in the EU. (4 core std., 7 core optional)

#### SHAFT SEALS

Compact Tandem Tungsten Carbide/Tungsten Carbide Upper & Lower Mechanical seals minimize shaft overhang and deflection maximizing mean time between service intervals. Moisture sensor available to detect progressive seal wear.

#### HYDRAULICS

Single Channel Impellers, Hydrodynamically balanced with improved flow pattern contribute to a virtually clog-free pump.

#### COOLING

Integral cast cooling fins on motor casing with large surface area ensure efficient heat dissipation and low temperature rise. Shrink fitted stators and short shaft overhang facilitate cooling.

#### MATERIALS OF CONSTRUCTION

Casing:	Cast Iron ASTM A48 Class 30 (FG 220)
Impeller:	Cast Iron ASTM A48 Class 30 (FG 220)
Shaft:	431 Stainless Steel
Hardware:	304 Stainless Steel
"O" Rings:	Nitrile Rubber
Mech. Seals:	TC/TC (Upper & Lower)

#### SURFACE TREATMENT

Primer with Epoxy and subsequently coated with black chloric paint for maximum corrosion resistance. pH range 6 - 11.

### PERFORMANCE CURVE

